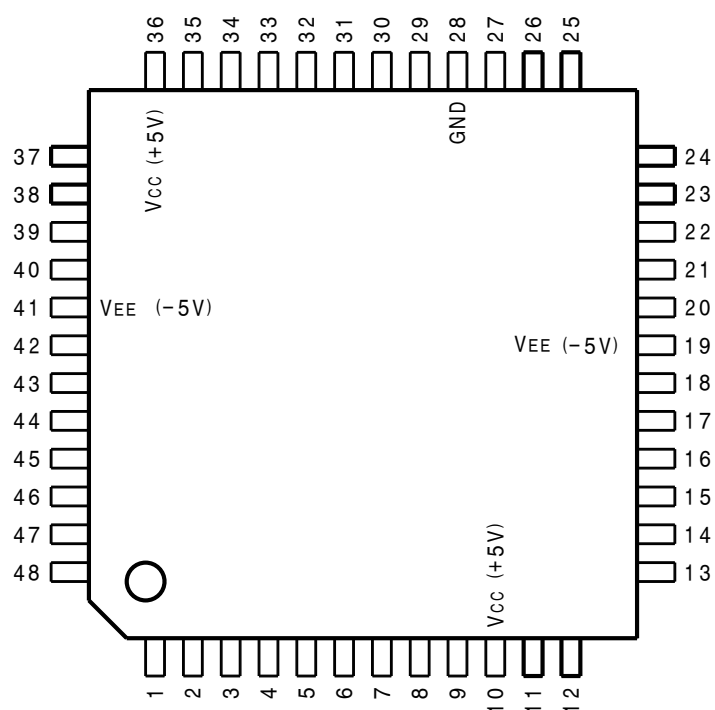


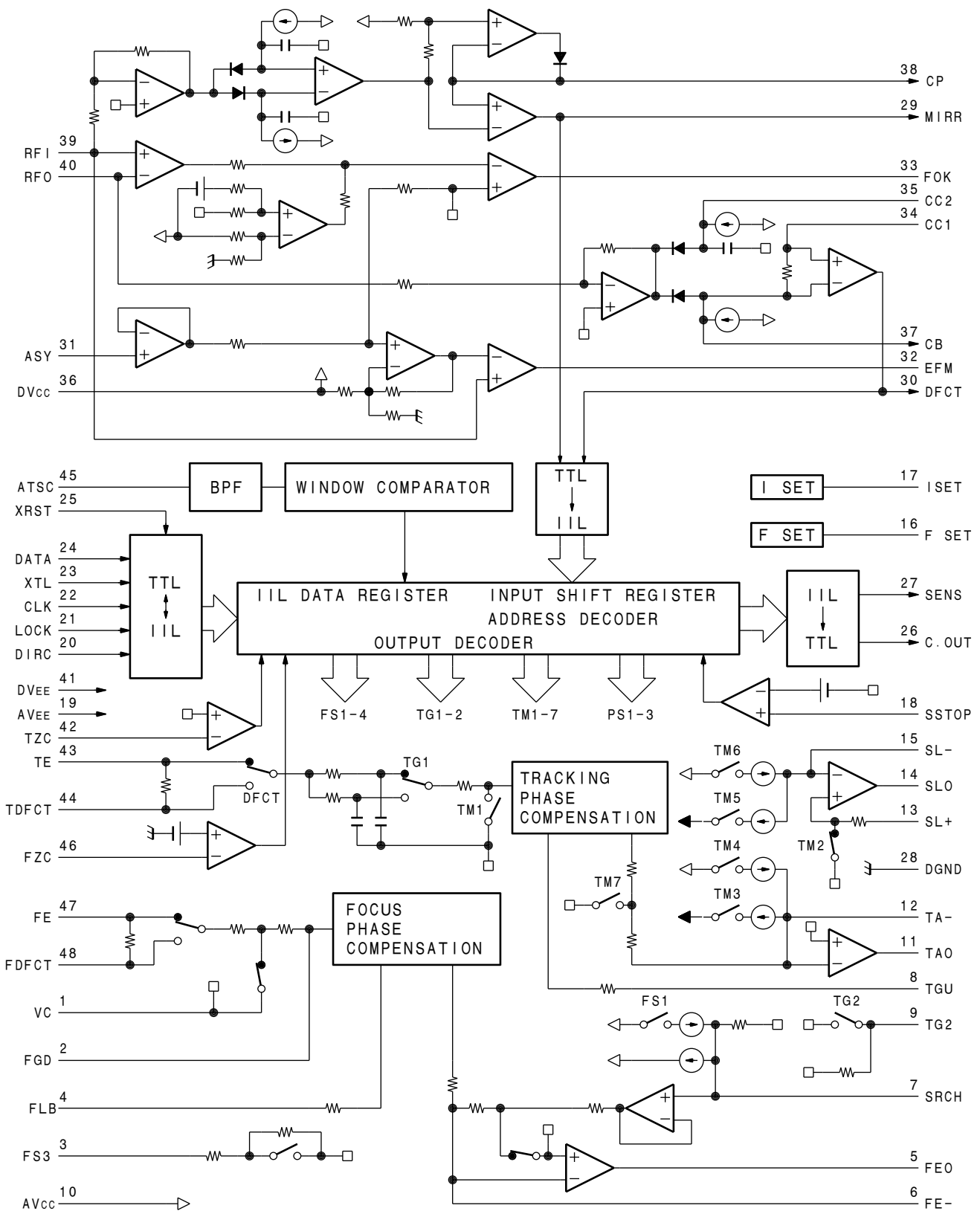
\*\*\*\*\*

## RF SIGNAL PROCESSING SERVO AMP FOR CD PLAYER

-TOP VIEW-

(V<sub>DD</sub> = +5V)

PIN No.	I/O	SIGNAL	PIN No.	I/O	SIGNAL	PIN No.	I/O	SIGNAL	PIN No.	I/O	SIGNAL
1	I	VC	13	I	SL+	25	I	XRST	37	I	CB
2	I	FGD	14	O	SLO	26	O	C. OUT	38	I	CP
3	I	FS3	15	I	SL-	27	O	SENS	39	I	RF I
4	I	FLB	16	I	FSET	28	-	GND	40	O	RFO
5	O	FE0	17	I	ISET	29	O	MIRR	41	-	VEE (-5V)
6	I	FE-	18	I	SSTOP	30	O	DFCT	42	I	TZC
7	I	SRCH	19	-	VEE (-5V)	31	I	ASY	43	I	TE
8	I	TGU	20	I	DIRC	32	O	EFM	44	I	TDFCT
9	I	TG2	21	I	LOCK	33	O	FOK	45	I	ATSC
10	-	V <sub>CC</sub> (+5V)	22	I	CLK	34	I	CC1	46	I	FZC
11	O	TA0	23	I	XLT	35	O	CC2	47	I	FE
12	I	TA-	24	I	DATA	36	-	V <sub>CC</sub> (+5V)	48	I	FDFCT



39	RF I	RF0	40
38	CP	MIRR	29
31	ASY	EFM	32
34	CC1	CC2	35
37	CB	FOK	33
		DFCT	30
45	ATSC		
25	XRST		
24	DATA		
23	XTL	SENS	27
22	CLK		
21	LOCK	C. OUT	26
20	DIRC		
18	SSTOP		
42	TZC		
43	TE		
44	TDFCT	TAO	11
46	FZC		
12	TA		
8	TGU		
15	SL-	SLO	14
13	SL+		
47	FE		
48	DFDCT		
2	FGD		
4	FLB	FEO	5
3	FS3		
9	TG2		
7	SRCH		
6	FE		
17	ISET		
16	FSET		

## INPUT

ASY ; INPUT PIN OF AUTO ASYMMETRY CONTROL.  
 CB ; CONNECTION PIN OF DEFECT BOTTOM HOLD CAPACITOR.  
 CC1 ; OUTPUT PIN OF DEFECT BOTTOM HOLD.  
 CLK ; SERIAL DATA TRANSFER CLOCK INPUT FROM CPU.  
 CP ; CONNECTING PIN OF MIRR HOLD CONDENSER.  
 NON-INVERTED INPUT PIN OF MIRR COMPARATOR.  
 DATA ; SERIAL DATA INPUT FROM CPU.  
 DIRC ; PIN FOR ONE-TRACK JUMP. CONTAINS A 47kΩ PULL-UP RESISTOR.  
 DFDCT ; CAPACITOR CONNECTING PIN FOR  
 TIME CONSTANT DURING DEFECT FUNCTIONS.  
 FE ; INPUT PIN OF FOCUS ERROR.  
 FE- ; INVERSE INPUT PIN FOR FOCUS AMPLIFIER.  
 FGD ; CONNECT A CAPACITOR BETWEEN THIS PIN AND  
 PIN 3 TO REDUCE HIGH-FREQUENCY GAIN.  
 FLB ; TIME CONSTANT EXTERNAL PIN TO RAISE THE  
 LOW BANDWIDTH OF THE FOCUS SERVO.  
 FS3 ; THE HIGH-FREQUENCY GAIN OF THE FOCUS  
 SERVO IS SWITCHED THROUGH FS3 ON AND OFF.  
 FSET ; PIN TO SET PEAK FREQUENCY OF FOCUS TRACKING  
 PHASE COMPENSATION AND FC OF CLV LPF.  
 FZC ; PIN FOR FOCUS ZERO-CROSS COMPARATOR INPUT.  
 ISET ; CURRENT IS INPUT TO DETERMINE FOCUS SEARCH,  
 TRACK JUMP, AND SLED KICK HEIGHT.  
 LOCK ; AT L SLED RUNAWAY PREVENTION CIRCUIT OPERATES.  
 CONTAINS A 47kΩ PULL-UP RESISTOR.  
 RF I ; INPUT PIN WITH COUPLING CAPACITOR WHERE RF  
 SUMMING AMPLIFIER OUTPUT IS CONNECTED.  
 SL+ ; NON-INVERSE INPUT PIN FOR SLED AMPLIFIER.  
 SL- ; INVERSE INPUT PIN FOR SLED AMPLIFIER.  
 SRCH ; TIME CONSTANT EXTERNAL PIN FOR THE  
 FORMATION OF FOCUS SEARCH WAVEFORMS.  
 SSTOP ; LIMIT SW ON/OFF SIGNAL DETECTION PIN FOR  
 DISC INNER PERIPHERY DETECTION.  
 TA- ; INVERSE INPUT PIN FOR TRACKING AMPLIFIER.  
 TDFCT ; CAPACITOR CONNECTING PIN FOR TIME CONSTANT DURING DEFECTS.  
 TE ; INPUT PIN OF TRACKING ERROR AMPLIFIER.  
 TG2 ; TIME CONSTANT EXTERNAL PIN FOR  
 THE SELECTION OF TRACKING HIGH BAND GAIN.  
 TGU ; TIME CONSTANT EXTERNAL PIN FOR  
 THE SELECTION OF TRACKING HIGH BAND GAIN.  
 TZC ; INPUT PIN OF TRACKING ZERO-CROSS COMPARATOR.  
 VC ; CENTER VOLTAGE INPUT PIN  
 FOR DUAL POWER: GND  
 FOR SINGLE POWER SUPPLY: (V<sub>CC</sub> + GND) / 2  
 XLT ; LATCH INPUT FROM CPU.  
 XRST ; RESET INPUT PIN. RESET AT "L"

## OUTPUT

CC2 ; INPUT PIN FOR THE CAPACITANCE COUPLED OUTPUT OF  
 DEFECT BOTTOM HOLD.  
 C. OUT ; TRACK NUMBER COUNT SIGNAL OUTPUT.  
 DFCT ; OUTPUT PIN OF DEFECT COMPARATOR.  
 EFM ; OUTPUT PIN OF EFM COMPARATOR.  
 FEO ; FOCUS DRIVE OUTPUT.  
 FOK ; OUTPUT PIN OF FOK COMPARATOR.  
 MIRR ; MIRR COMPARATOR OUTPUT PIN.  
 RFO ; OUTPUT PIN OF RF SUMMING AMPLIFIER AND  
 CHECK POINT OF EYE PATTERN.  
 SENS ; OUTPUTS FZC, AS, TZC AND SSTOP THROUGH COMMAND FROM CPU.  
 SLO ; SLED DRIVE OUTPUT.  
 TAO ; TRACKING DRIVE OUTPUT.  
 ATSC ; WINDOW COMPARATOR INPUT PIN FOR ATSC DETECTION.